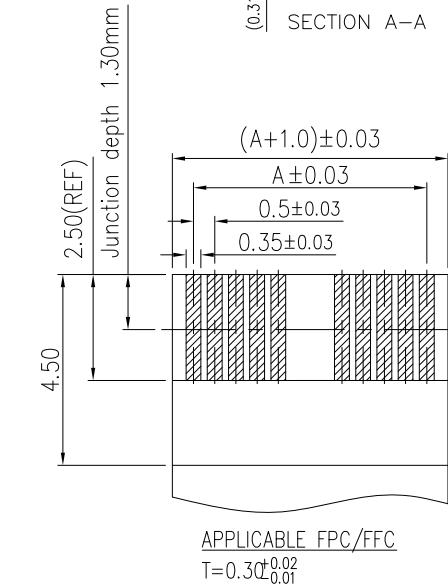
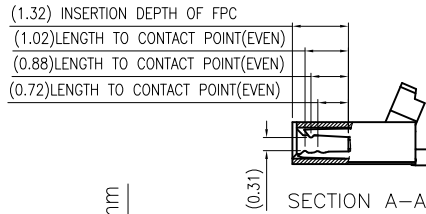
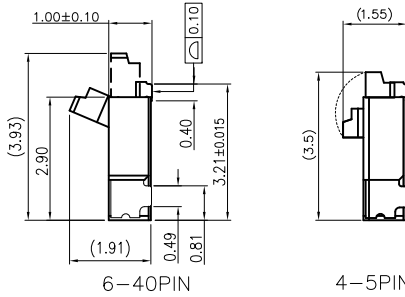
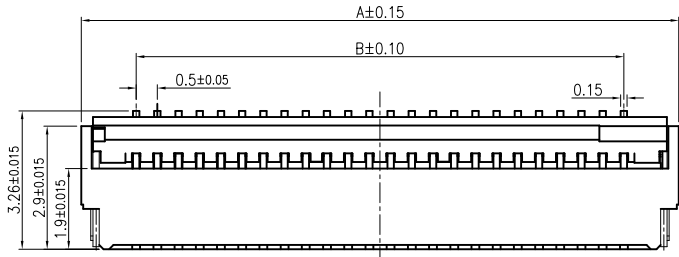


The product using material and processing must conform to the "WL-PZ-001" HSF technical standard control requirements

RoHS+HF

- NOTE:
- MATERIAL SPECIFICATION:
 - HOUSING: LCP,UL94-V0,
 - COVER: LCP,UL94-V0,BLACK
 - CONTACTS: PHOSPHOR BRONZE
 - SOLDER TABS: BRASS
 - PLATING SPECIFICATION:
 - CONTACTS:
 - Ni UNDER PLATED .
 - G/F 1 μ PLATED ON THE FUNCTIONAL AREA OF CONTACT.
 - SOLDER TABS:
 - PLATED MATTE Tin 100-120 μ " .
 - MECHANICAL PERFORMANCE:
 - RETENTIVITY FORCE: 0.03KGF/pin min
 - DURABILITY: 20 CYCLES.
 - ELECTRICAL PERFORMANCE:
 - CURRENT RATING: 0.5A
 - RATED VOLTAGE : 50V AC/DC
 - CONTACT RESISTANCE: 50 m Ω MAX
 - INSULATION RESISTANCE: 500M Ω Min
 - DIELECTRIC WITHSTANDING : 500V AC
 - ENVIRONMENTAL PERFORMANCE:
 - OPERATING TEMPERATURE: -25 $^{\circ}$ C~+85 $^{\circ}$ C.
 - PACKAGE SPEC: REEL
 - P/N: F0501 10 F 9-1 XX 2 X X 02



SERIES NO: F0501 10 F 9-1 XX 2 X X 02

HEIGHT: 10: 1.0mm

MALE FEMALE: F-FEMALE

ANGLE: 9-90 $^{\circ}$

ROW NO: 1-SINGLE ROW

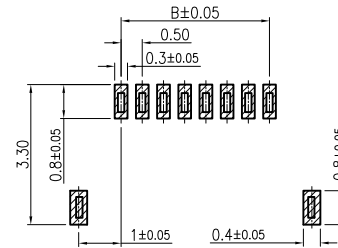
COLOR: M-BEIGE, K-WHITE, S-NATURE

PLATING: A-ALL AU G/F, C-BRIGHE TIN, 1-G/F

TERMPIONT: 2-SMT

PIN Q'PY: 04~40

Circuit	Dimensions(mm)		
	A	B	C
04	4.09	1.50	2.60
05	4.59	2.00	3.10
06	5.09	2.50	3.60
08	6.09	3.50	4.60
10	7.09	4.50	5.60
12	8.09	5.50	6.60
14	9.09	6.50	7.60
16	10.09	7.50	8.60
18	11.09	8.50	9.60
20	12.09	9.50	10.60
22	13.09	10.50	11.60
24	14.09	11.50	12.60
28	16.09	13.50	14.60
30	17.09	14.50	15.60
32	18.09	15.50	16.60
38	21.09	18.50	19.60
40	22.09	19.50	20.60



Recommended P.C.B Layout

NO.	COMPONENTS	MATERIALS	COLOR/SPECIFICATION	QUANTITY
1	HOUSING	THERMOPLASTIC	NATURAL UL94V-0	1 PCS
2	COVER	THERMOPLASTIC	BLACK UL94V-0	1 PCS
3	CONTACTS	PHOSPHOR BRONZE	T=0.15mm PLATING	POSITIONS
4	SOLDER TABS	BRASS	T=0.15mm PLATING	2 PCS

REV.	REVISION RECORD	DATE
A0	NEW RELEASE	22.10.28

GENERAL TOLERANCES	SCALE: 1:1	NAME	DATE
0.0±0.35	X°REF±6°	APPROVED	Wang_jr
0.00±0.25	X°±3°	DESIGNER	Han_Gao
0.000±0.10	X°X'±2°	DRAWN	LanXuan_Hou

PART.NO: F050110F9-1XX2XX02	DWG.NO: ENDE05
TITLE: Pitch 0.50mm 90°H1.00mm 卧贴双面接后掀盖 SMT FPC	

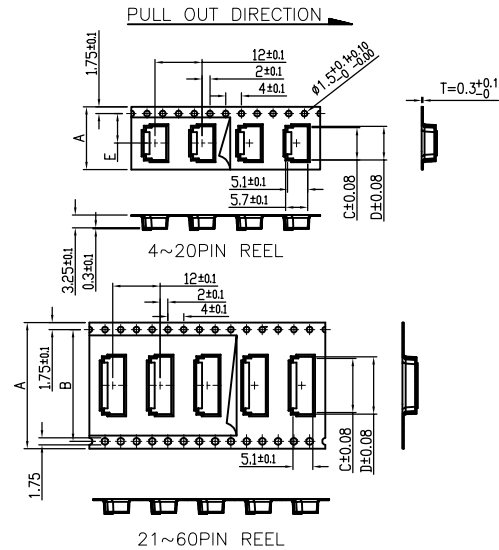


 WanLian Teconology Co., Ltd

REV: A0	SHEET: 1/2
---------	------------

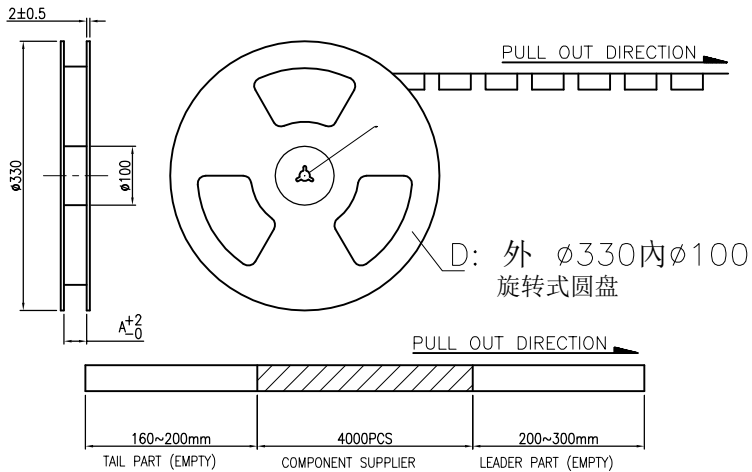
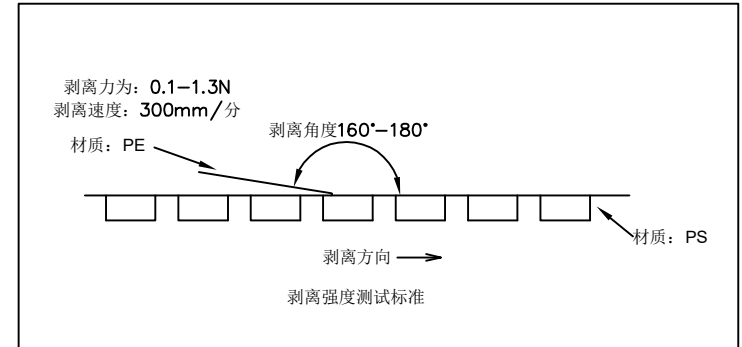
The product using material and processing must conform to the "WL-PZ-001" HSF technical standard control requirements

RoHS+HF

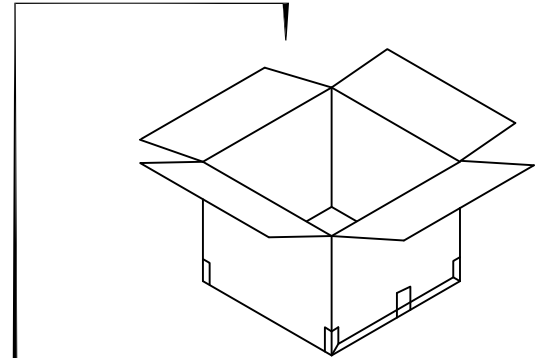
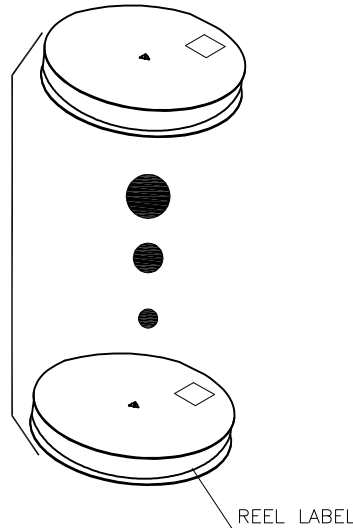


NOTES:

- MATERIAL:
 - CARRY TAPE:HIPS,T=0.30±0.05mm,CLEAR
 - REEL:HIPS,
 - SHIM:PE,CLEAR.
- PRIMARY PACKING:4000PCS/REEL.
- SECONDARY PACKING:SEE PACKING LIST
- PEELING RESISTANCE: 0.1~1.3N; PEELING ANGLE: 165°~180°; PEELING SPEED: 300mm/minutes.



TOTAL N LAYERS



6. QTY. LIST:

Circuit	A	B	PCS/盘
04~14PIN	16.0	/	4000
16~12PIN	24.0	/	4000
28~39PIN	32.0	28.4	4000
40PIN	44.0	40.4	4000

REV.	REVISION RECORD	DATE	GENERAL TOLERANCES		SCALE:	NAME	DATE	PART.NO:	DWG.NO:	 WanLian Teconology Co., Ltd
AO	NEW RELEASE	22.10.28	LINEAR	ANGLES	1:1	Wang_jr	22.10.28	F050110F9-1XX2XX02	ENDE05	
			0.0±0.35	X°REF±6'		Han_Gao	22.10.28	TITLE:		
			UNIT:mm	X'±3'		LanXuan_Hou	22.10.28	Pitch 0.50mm 90°H1.00mm 卧贴双面接后掀盖 SMT FPC		
			SIZE: A4	0.000±0.10	X'X' ±2'			REV: A0	SHEET: 2/2	